



# Alfa Laval Valve Manifold

## Double seat valves

### Introduction

The Alfa Laval Valve Manifold is a service that provides a fluid transfer solution connecting two or more valves and piping in an automated processing system. Alfa Laval pre-manufactures, pre-tests, pre-assembles, and supplies customized valve manifolds based upon specific customer requirements to make onsite installation quick and easy and valve matrices more compact.

As specialists in providing pre-built valve clusters customized to meet specific, individual requirements, Alfa Laval ensures the most efficient flow management, using as few components as possible and dealing effectively with key issues that include thermal cycling, cleanability, drainability and flow control.

### Application

The Alfa Laval Valve Manifold is widely used across the dairy, food, beverage and many other industries.

### Benefits

- Safe and reliable operation
- Simple, cost-effective onsite installation
- Improved space utilization
- Minimized dead space and leakage risks
- Reduced loss of product, water and cleaning media
- Vast design and building experience
- Highly skilled and certified welders

### General Information

As part of our valve program we also offer the service to supply pre-manufactured valve manifolds based upon specific customer requirements.

### Standard design

- Welding procedures according to EN 288-3
- Orbital welding used to the extent possible
- All external pipe ends or connections as requested
- All external pipe ends have welding ends. TriClamp optional
- Product wetted parts: AISI 316L
- Internal and external acid treatment and external blasting, after the welding
- External surface roughness (approximately Ra <1.6 micron)
- Standard adjustable feet +/- 30 mm
- Valves welded directly together to minimize footprint and dead space
- Maintenance catwalk for easy service access
- Frame supplied with #4 finish and drip pans
- The valve can also be fitted with the Alfa Laval ThinkTop V50 and V70 for sensing and control of the valve

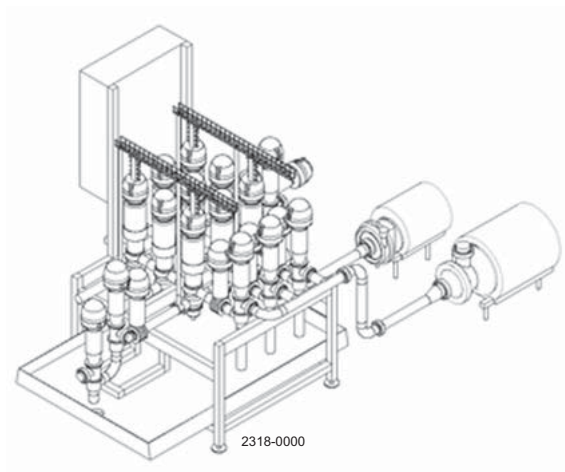


## TECHNICAL DATA

According to customer specification.

### Options

- Connections welded on to the external pipe ends
- Polished surface
- Cat walk for service access
- Internal air distribution
- Internal wiring and junction box
- PLC equipment / master gateway etc
- Special frame design etc
- Dummy bodies for future expansion



### Dimensions (mm)

According to customer specification.

Alfa Laval reserves the right to change specifications without prior notification.

#### How to contact Alfa Laval

Contact details for all countries are continually updated on our website. Please visit [www.alfalaval.com](http://www.alfalaval.com) to access the information direct.