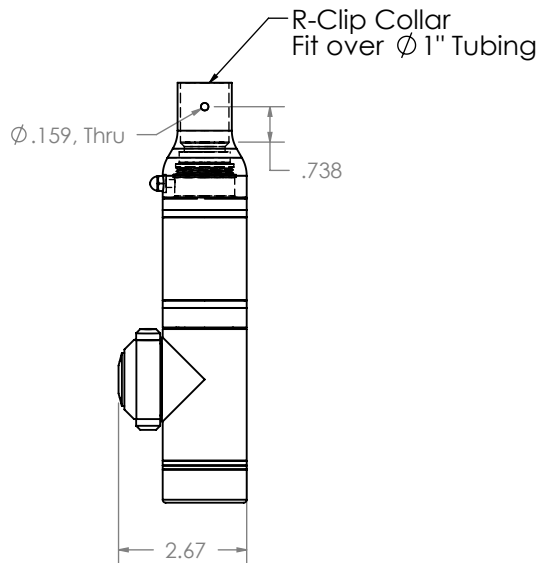
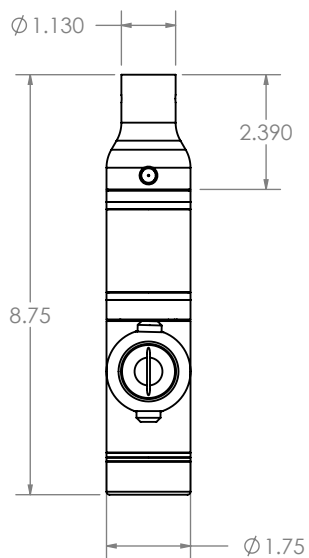
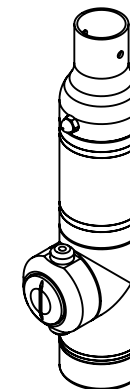
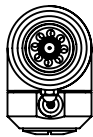


Notes:

- 316 SS, 18-8 Fasteners, Plastics, and Elastomers
- Weight: 4 lbs.
- Dual (Shown) and Triple Nozzle Available
- Nozzle Sizes: Range from 1/8" to 1/4"
- Flow Range: 5 to 40 GPM
- Pressure Range: 40 to 300 PSIG
- Min Full Wash Cycle: 10 minutes
- Clearances: Min: 2.8", Fixed-Centerline: 3-3/4"



UNLESS OTHERWISE SPECIFIED

- * DIMENSIONS ARE IN INCHES
- * DIMENSIONS REFERENCE THEORETICAL SHARP CORNERS
- * FILLET RAD.: 0.015 ±0.005
- * TOLERANCES:
- .XX ±0.01
- .XXX ±0.005
- ANGLE ±0.5°

MATERIAL:
See Notes

FINISH (UNLESS OTHERWISE SPECIFIED):
Polished

SCALE 1:4

Alfa Laval 604 Jeffers Circle Exton, PA 19341		
Cut Sheet		
EQUIPMENT GJ A6		
DRAWN BY JAD	DRAWN DATE 1/11/2012	REV 2
DWG. NO. A6-1000-CS		SHEET 1 OF 1

THIS DRAWING IS THE PROPERTY OF ALFA LAVAL REPRODUCTIONS AND USE OTHER THAN BORROWER'S AGREEMENT IS PROHIBITED. THIS DOCUMENT SHALL NOT BE LENT OR DISPOSED OF DIRECTLY OR INDIRECTLY NOR USED FOR ANY PURPOSE OTHER THAN THAT WHICH IS SPECIFICALLY FURNISHED.

REVISIONS TABLE			
DRAWN BY	DATE	REV.	DESCRIPTION
JAD	1/11/12	1	New Drawing
RK	2/21/17	2	ADDED NEW DIMENSIONS