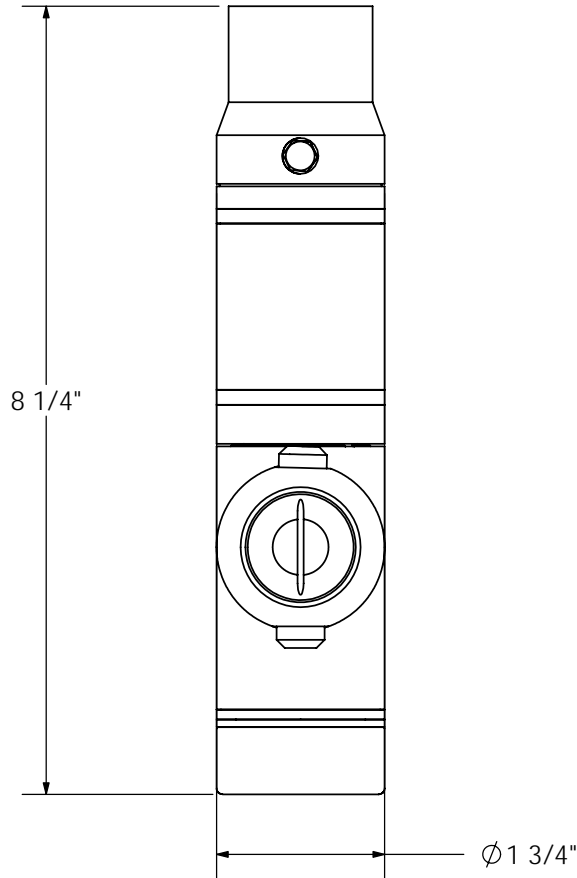
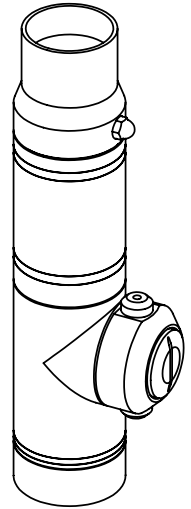
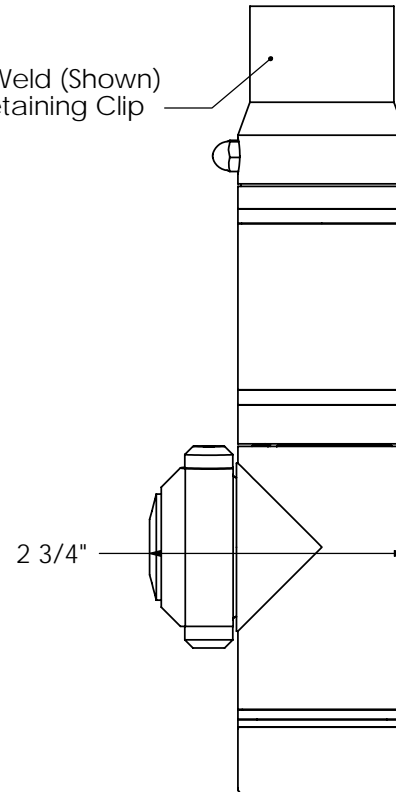


- Notes:
- 316 SS, 18-8 Fasteners, Plastics, and Elastomers
  - Weight: 4 lbs.
  - Dual (Shown) and Triple Nozzle Available
  - Nozzle Sizes: Range from 1/8" to 1/4"
  - Flow Range: 5 to 40 GPM
  - Pressure Range: 10 to 700 PSIG
  - Min Full Wash Cycle: 10 minutes
  - Clearances: Min: 2.8", Fixed-Centerline: 3-3/4"



Inlet: 1-1/2" Butt Weld (Shown) or 1" Slip-Joint/Retaining Clip



UNLESS OTHERWISE SPECIFIED  
 \* DIMENSIONS ARE IN INCHES  
 \* [ ] DIMENSIONS ARE mm  
 \* DEBURR ALL SURFACES  
 \* FILLET RAD.: 0.015  
 \* TOLERANCES:  
 .XX ±0.01  
 .XXX ±0.005  
 ANGLE ±0.5°

MATERIAL:  
See Notes

FINISH (UNLESS OTHERWISE SPECIFIED):  
32 Ra

SCALE: 1:2

<b>Alfa Laval</b>	
TITLE <b>Cut Sheet</b>	
EQUIPMENT <b>GJ A6</b>	
DWG. NO. <b>GJ A6</b>	SHEET 1 OF 1

THIS DRAWING IS THE PROPERTY OF ALFA LAVAL REPRODUCTIONS AND USE OTHER THAN BORROWER'S AGREEMENT IS PROHIBITED. THIS DOCUMENT SHALL NOT BE LENT OR DISPOSED OF DIRECTLY OR INDIRECTLY NOR USED FOR ANY PURPOSE OTHER THAN THAT WHICH IS SPECIFICALLY FURNISHED.

DRAWN	DATE	Rev.	Description
BFG	10/12/01	1	New Drawing